

Designed especially for Ifö Sign Art



Pressalit Sign Art with soft close,  
incl. BR8 fixed hinge with quick-release

No. 474xxx-BR8xxx with cover

*Design/Year*

Knud Holscher, 2005

*Product Description*

PRESSALIT toiletseat with cover, model "Sign Art",  
art. no. 474 of colour ingrained duroplast with duroplast  
cylinder hinge.

- incl. BR8 duroplast cylinder shaped hinge
- incl. quick-release and soft close function
- removable seat/cover facilitates cleaning
- rounded edges
- load – ring seat 240 kg
- 10 year guarantee

*Colour Programme xxx*

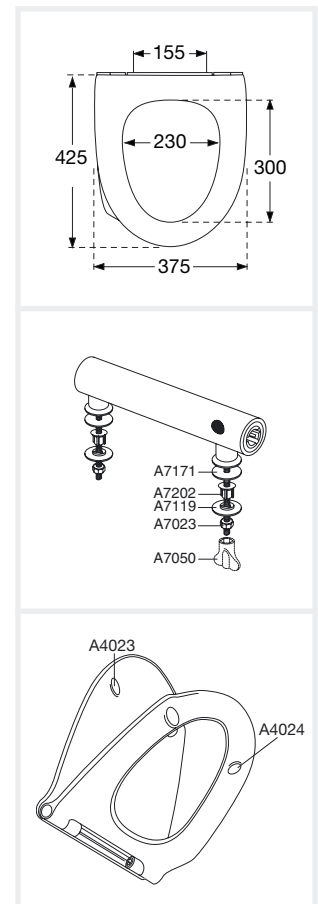
With cover:  
000 white, 001 black, 333 sand

*Hinge Finish xxx*

000 White  
001 Black  
333 Sand

*Spare Parts*

A4023 Buffer for pushing into cover, oval, grey  
A4024 Buffer for pushing into seat, oval, grey  
BR8xxx Fixed hinge with quick-release



Seats for your senses

*Product Weight*

Net weight approx. 3000 gr, incl. hinge

*Packaging*

Single carton  
5 single cartons in a master carton  
18 master cartons (90 seats) per pallet

Dimensions:  
449x381x64 mm  
456x388x340 mm

Weight:  
3300 gr  
17300 gr

*Material Description*

**TOILET SEAT:**

The material is colour ingrained duroplast (UF A 10 = urea formaldehyde) that contains no environmentally hazardous substances. The body consists of approx. 50% urea ( $\text{NH}_2\text{CONH}_2$ ), approx. 25% cellulose and approx. 25% formaldehyde (HCHO), as well as small amounts of various fillers and additives.

**BUFFERS:**

EVA (copolymer made of ethylene and vinyl acetate).

**HINGE LINKS:**

Threaded part and rosette in stainless steel model W. nr. 1.4301 DIN 17441/85.

**QUICK-RELEASE COMPONENTS:**

Mechanical parts made in thermoplastic

*Suitability List*

Ifö Sign Art.

*Cleaning Instructions*

Use a mild soap solution. Seat and hinges should not be left damp, but be dried with a soft cloth. When using abrasive, corrosive or chlorine based cleaners for the bowl, avoid contact with seat and hinges. Therefore, when cleaning the bowl, make sure that seat and cover are in an upright position until all the cleaner has been flushed away.

The guarantee includes faults or defects in the material of our products within a period of 10 years. Products subject to minor technical modifications and design deviations E. & O.E.



[www.pressalit.com](http://www.pressalit.com)

Pressalit A/S  
Pressalitvej 1  
DK-8680 Ry  
Tel.: (+45) 8788 8788  
Fax: (+45) 8788 8789  
[pressalit@pressalit.com](mailto:pressalit@pressalit.com)  
- a division of Pressalit Group A/S



Seats for your senses